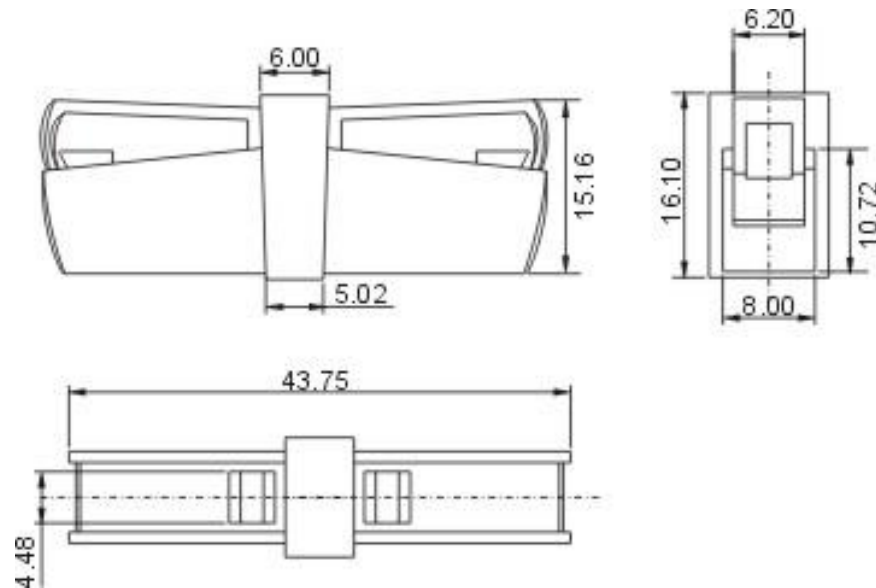
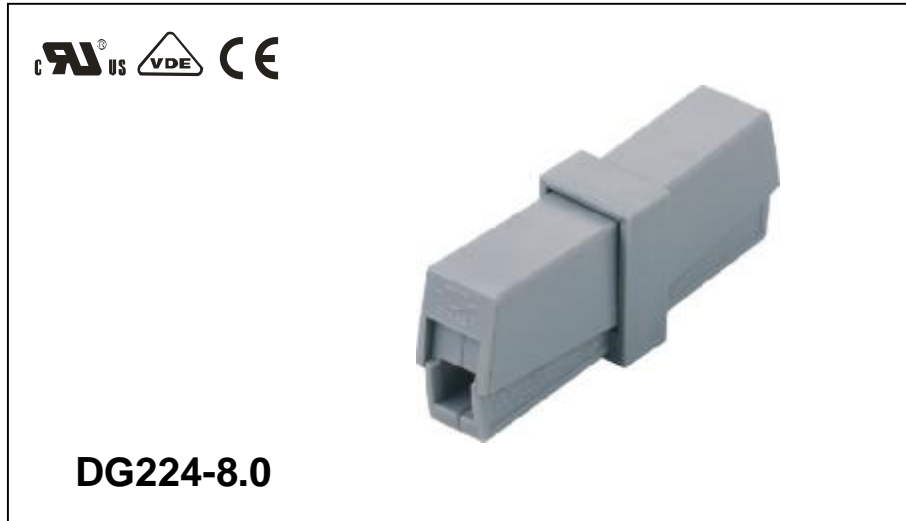




DEGSON ELECTRONICS CO., LTD.

Product Specification



Approval		
Electrical		
Standard	UL	IEC
Rated voltage	300V	450V
Rated current	20A	24A
Wire range	22-12AWG	0.2-2.5mm ²
Withstanding voltage	AC2500V/1Min	
Mechanical		
Ambient temperature	-40°C ~ +105 °C	
Strip length	9-11mm	
Dimensions		
Pitch	8.0mm(.315")	
Poles	1P	
Material		
Housing	PA66,UL94V-0	
Pin header	Copper, Tin plated	
Wire guard	Stainless steel	

HOW TO ORDER :

- **P** - -

X	X	X
Customer Request		

Series number **No. of pole**

1	Single pitch
2	Double pitch

Color					
1	Grey	4	Green	7	Trans Parent
2	Blue	5	Orange	8	Yellow
3	Black	6	Red	9	White

	DEGSON ELECTRONICS CO., LTD.
	NAME DG224-8.0