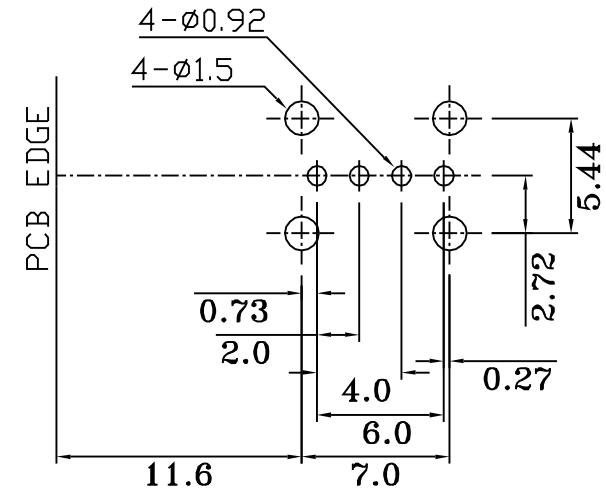
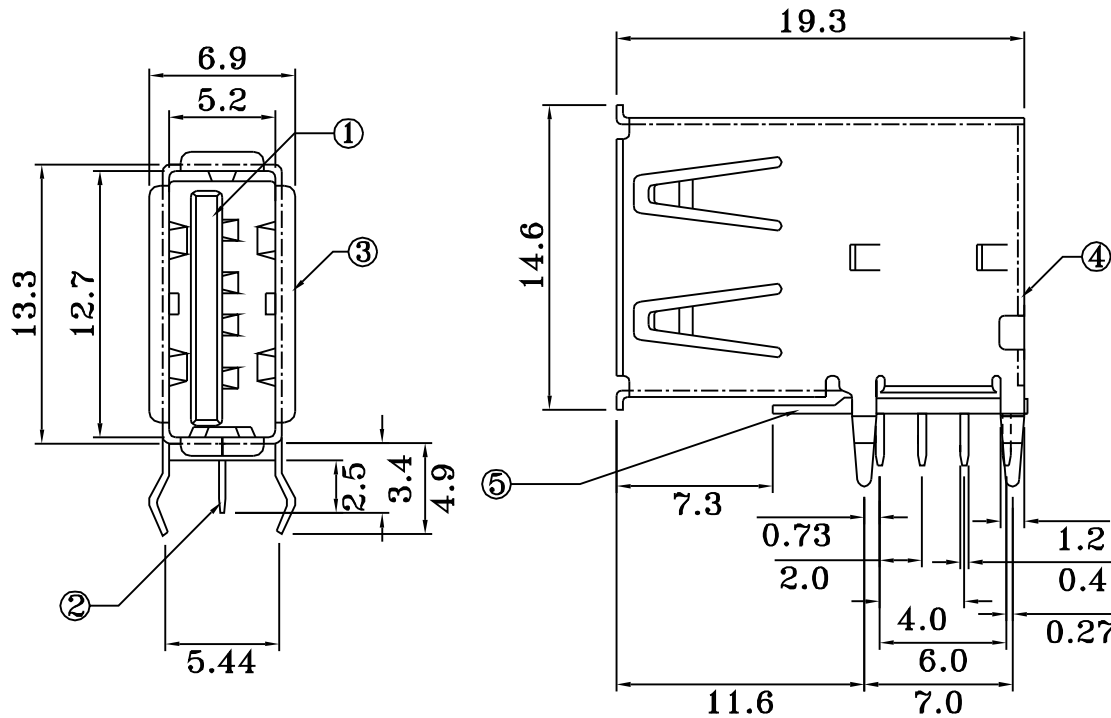


NO.	NAME	MATERIAL	FINISH	REMARK	Q'TY
1	HOUSING	P.B.T. G.F.	BLACK/WHITE		1
2	PIN TERM.	PHOS. BRONZE T:0.25	GOLD/TIN PLATED	NI:1~1.5u;TIN:3u. GOLD:1~3u	4
3	SHELL	BRASS T:0.3	NICKEL PLATED	NI:2~3u	1
4	SHELL	SPCC T:0.3	NI:2~3u	1	
5	BOTTOM COVER	P.B.T. G.F.	BLACK		1



PCB LAYOUT
(BOTTOM VIEW)

玄茂科技股份有限公司
HSUAN MAO TECHNOLOGY CO., LTD.

UNIT

SCALE

PART NAME

MM

3:1

USB. A TYPE UPRIGHT 90° DIP

製表日:2000/06/07

DRAWING.

APPROVED

APPD.

CKD.

TOLERANCE

PART NO.

REV.

RANDY

TINA

± 0.5

C8317-04AFV SX0

A