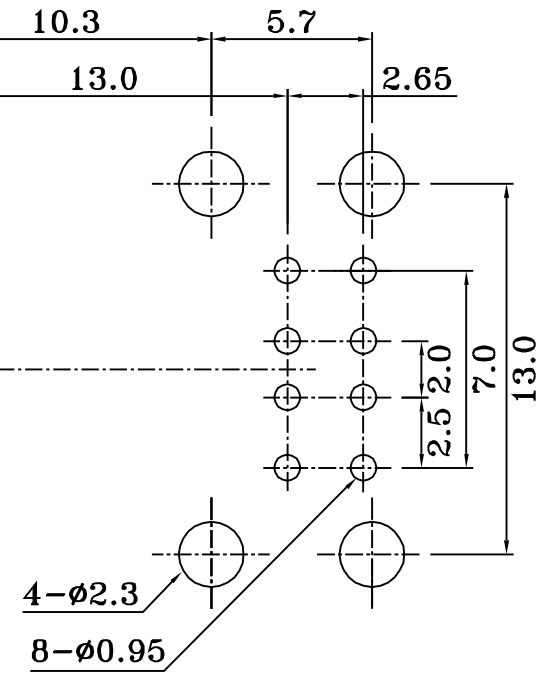
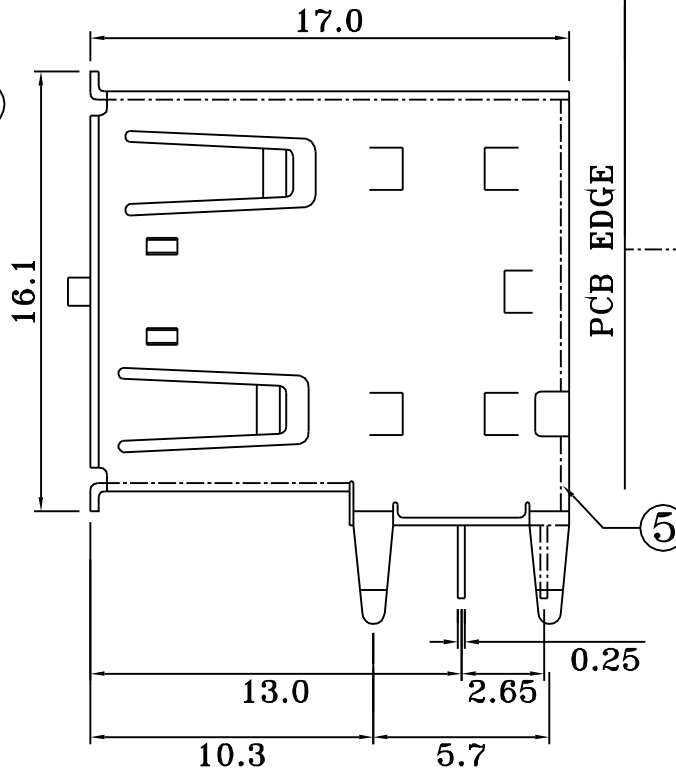
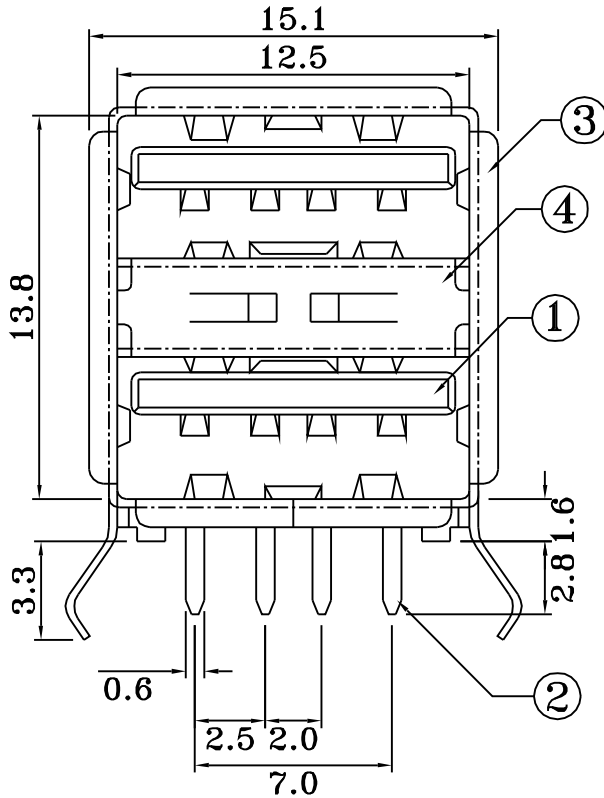


NO.	NAME	MATERIAL	FINISH	Q'TY	REMARK
1	HOUSING	P.B.T.	BLACK/WHITE	1	
2	PIN TERM.	PHOS. BRONZE	GOLD-TIN PLATED	8	Ni:1~5u ; TIN:3u GOLD:1~3u*
3	SHELL	BRASS,0.3mm	TIN PLATED	1	TIN:3~5u
4	SHELL	BRASS,0.3mm	TIN PLATED	1	TIN:3~5u
5	SHELL	SPCC,0.3mm	NICKEL PLATED	1	



PCB LAYOUT
(BOTTOM VIEW)

玄茂科技股份有限公司
HSUAN MAO TECHNOLOGY CO., LTD.

UNIT

MM

APPD.

DRAWING.

Jane

APPROVED

CKD.

SCALE

3:1

TOLERANCE

± 0.3

PART NAME

USB A TYPE DUAL PORT
P.C.B. 90° DIP

PART NO.

C8317-08CFHS X0

REV.

A

制表日:2001/06/15