

1 2 3 4 5 6 7 8

A

A

B

B

C

C

D

D

E

E

F

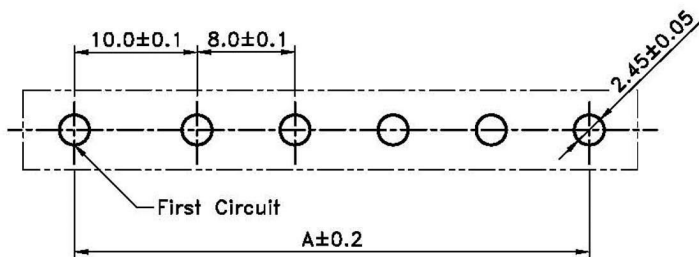
F

G

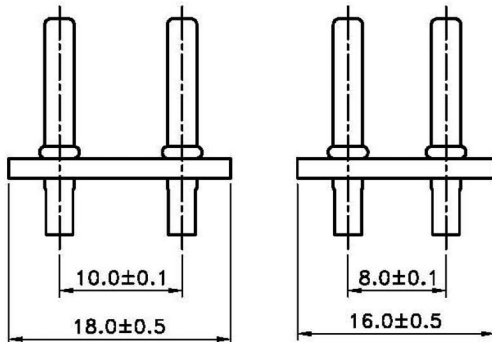
G

H

H



Recommended PCB Layout

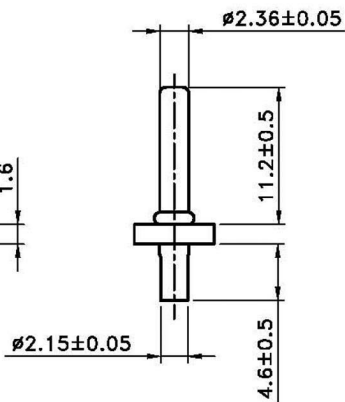
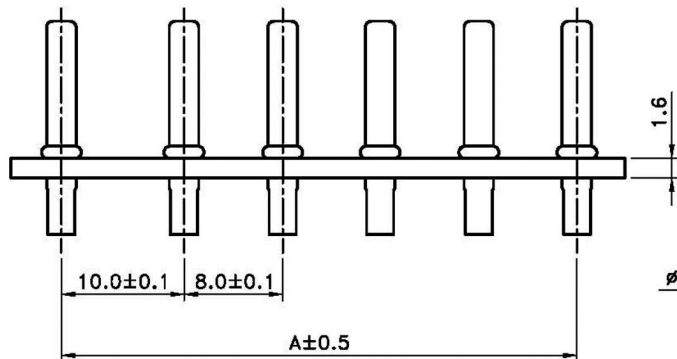
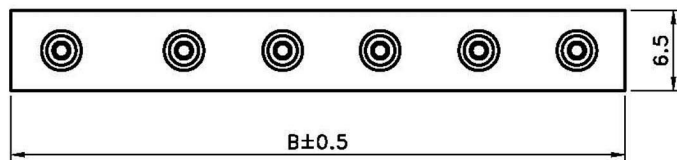


■ SPECIFICATIONS

- Voltage Rating : 125V AC/DC
- Current Rating : 3A AC/DC
- Withstanding Voltage : 1,500V AC/minute
- Insulation Resistance : 1,000MΩ min.
- Temperature Range : - 25°C to + 85°C
- Contact Resistance : 20mΩ max.

■ WAFER

- Poles : 1 - 6
- Material : Contact : Brass, Tin plated
Base : Phenolic Bakelite UL94V-0
- Q' ty : 1,000 pcs./Bag



Poles	Dimensions(mm)	
	A	B
1	----	6.50
2	See the Drawing	
3	10.0+(8.0x1)	26.00
4	10.0+(8.0x2)	34.00
5	10.0+(8.0x3)	42.00
6	10.0+(8.0x4)	50.00

RoHS Compliant **HSM** 玄茂科技股份有限公司
HSUAN MAO TECHNOLOGY CO., LTD.

APPD. 核准 Karen		TOLERANCE 容許公差	PART NAME 品名					
DWG. 製圖 Yumi		SCALE 比例 參考		<table border="1"> <tr> <td>.0</td> <td>±0.3</td> </tr> <tr> <td>.00</td> <td>±0.2</td> </tr> <tr> <td>.000</td> <td>±0.1</td> </tr> </table>	.0	±0.3	.00	±0.2
.0	±0.3							
.00	±0.2							
.000	±0.1							
DATE 制表日 2011/06/01	UNIT 單位 MM	SIZE 紙張尺寸 A 4	10-8.0mm WAFER 1XXX P STRAIGHT TYPE TIN PLATED BLACK COLOR H=1.6mm L=17.5mm MATERIAL:PHENOLIC BAKELITE ROHS					
PAGE 張數 1 OF 1	REV. 版次 A	PART NO. 料號 W1888-XXPSTB01R						

1 2 3 4 5 6 7 8