



Version	1
Total pages	23
Date	2007.12.07

LCD TFT :
e-mail: lcd@tdmegalit.ru : +7(495)921-32-33 : www.tdmegalit.ru

Product Specification

10.1" color TFT-LCD module

MODEL NAME: A101VW01 V0

() Preliminary Specification
() Final Specification

Note: The content of this specification is subject to change.

© 2007 AU Optronics
All Rights Reserved,
Do Not Copy.



Contents:

A. Physical specification.....	P3
B. Electrical specifications.....	P4
1. Absolute maximum ratings.....	P4
2. Typical operating conditions.....	P4
3. Current consumption conditions.....	P4
4. Backlight driving conditions.....	P5
5. Timing conditions.....	P5
6. Pin assignment.....	P6
C. Optical specifications.....	P8
D. Reliability test items.....	P10
E. Packing form.....	P11



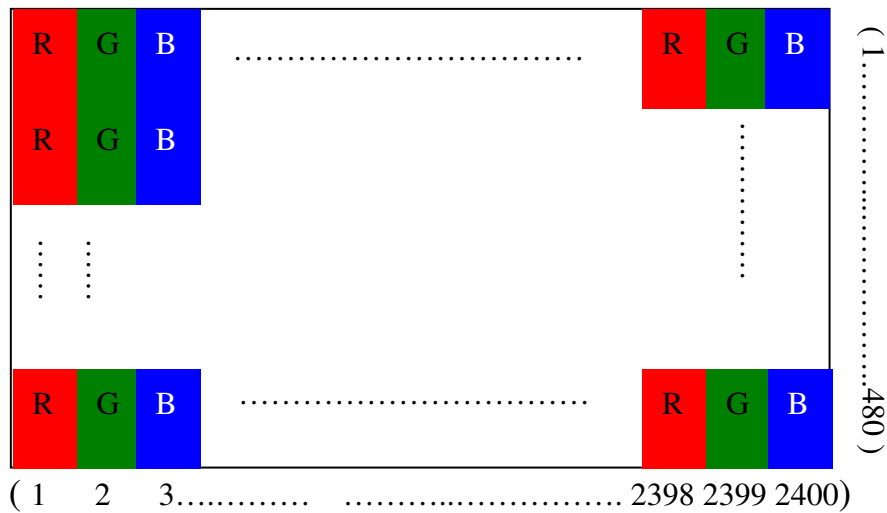
Appendix:

Fig.1 Outline dimension of TFT-LCD module (Front Side).....	P12
Fig.2 Outline dimension of TFT-LCD module (Rear Side)	P13
Fig.3 Operation Mode 1.....	P14
Fig.4 Operation Mode 2.....	P15
Fig.5 Horizontal timing.....	P16
Fig.6 Vertical shift clock timing	P17
Fig.7 Vertical timing (from up to down)	P18
Fig.8 Power sequence	P19
Fig.9 Reference Gamma Voltage	P21

A. Physical specifications

NO.	Item	Specification	Remark
1	Display resolution (dot)	800RGB(W)x480(H)	
2	Active area (mm)	219.6(W)x131.76(H)	
3	Screen size (inch)	10.1(Diagonal)	
4	Pixel pitch (mm)	0.2745(W)x0.2745(H)	
5	Color configuration	R. G. B. stripe	Note 1
6	Overall dimension (mm)	235.0(W)x145.9(H)x5.9(D)	Note 2
7	Weight (g)	315	
8	Surface treatment	Anti-Glare	
9	Backlight unit	CCFL	

Note 1: Below figure shows the dot stripe arrangement.



Note 2: Refer to Fig.1 and Fig.2

B. Electrical specifications

1. Absolute Maximum Ratings

Items	Symbol	Product Specification			Unit
		Min.	Typ.	Max.	
Power Voltage	Vcc	-0.5		5	V
	AVDD	-0.5		12	V
	VGH	-0.3		18	V
	VGL	-15		0.3	V
	VGH-VGL			33	V
Input Signal Voltage	Vi	-0.3		Vcc+0.3	V
	Vref(V1~V7)	0.4AVDD		AVDD+0.3	V
	Vref(V8~V14)	-0.3		0.6AVDD	V
	Vcom	3.27		3.89	V
Operating Temperature	Topa	-10		60	°C
Storage Temperature	Tstg	-20		70	°C

2. Typical operating conditions (GND=AVSS=0V)

Items	Symbol	Product Specification			Unit
		Min.	Typ.	Max.	
Power Voltage	VCC	3.0	3.3	3.6	V
	AVDD	8.2	8.8	9.2	V
	VGH	14	15	16	V
	VCOM	3.3	3.7	3.9	V
	VGL	-6.8	-7.0	-7.2	V
Input Reference Voltage	V1~V7	0.4AVDD	—	AVDD-0.3	V
	V8~V14	0.1	—	0.6AVDD	V
Input H/L level Voltage	VIH	0.8VCC	—	VCC	V
	VIL	0	—	0.2VCC	V

3. Current consumption conditions(GND=Avss=0V)

Parameter	Symbol	Condition	Min.	Typ.	Max.	Unit
Current For Driver	IGH	VGH=15V		231	242	uA
	IGL	VGL=-7V		-2.1	-2.3	mA
	ICC	VCC=3.3V		3.0	5.0	mA
	IDD	AVDD=8.8V		32.5	35.0	mA

4. Backlight driving conditions

Parameter	Symbol	Condition	Min.	Typ.	Max.	Unit
Lamp Life Time	-	-	20,000	30,000	-	Hours
Voltage	V_L		636 (8.0mA)	675	747 (4.0mA)	Vrms
Current	I_L		4.0	6.5	8.0	mA
Frequency	F_L		-	60	80	KHz
Lamp Start Voltage	V_s	T=25°C	1,420			Vrms
		T=0°C	1,850			Vrms
		T=-20°C	1,950			Vrms
		Dark (Note)	1,950			Vrms

The "Lamp life time" is defined as the module brightness decrease to 50% original brightness at $T_a=25^\circ\text{C}$, $I_L=6\text{mA}$. The lamp driving voltage is measured from the panel connector site.

Note: In 14lux dark environment after leaving for 24 hours

5. Timing conditions

AC Electrical Characteristics ($V_{CC}=3.3\text{V}$, $AV_{DD}=8.4\text{V}$, $AV_{SS}=\text{GND}=0\text{V}$, $T_A=25^\circ\text{C}$)

Parameter	Symbol	Min.	Typ.	Max.	Unit
CLK frequency (EDGSL = '0')	Fclk		40	44	MHz
CLK frequency (EDGSL = '1')	Fclk		20	22	MHz
CLK pulse width	TCW	40%		60%	Tcph
Data set-up time	Tsu	4			ns
Data hold time	Thd	2			ns
Propagation delay of DIO2/1	Tphl	6	10	15	ns
Time that the last data to LD	Tld	1			Tcw
Pulse width of LD	Twld	2			Tcw
Time that LD to DIO1/2	Tlds	5			Tcw
POL set-up time	Tpsu	6			ns
POL hold time	Tphd	6			ns
CKV pulse width	TCKV	500			ns
STV setup time	TSUV	400			ns
STV hold time	THDV	400			ns
Output stable time	Tst			15	us

6.Pin assignment

TFT-LCD panel driving section

(1.)FH12-30S-0.5SH(Hirose) — FPC I/O Pin Assignment

Pin no	Symbol	I/O	Description	Remark
1	POL	O	Polarity selection	
2	DIO2	I/O	Vertical start pulse signal input or output	
3	OE	I	Output enable	
4	CPV	I	Vertical clock	
5	DIO1	I	Vertical start pulse signal input or output	
6	GND	P	Power ground	
7	EDGSL	I	Select rising edge or rising/falling edge	
8	VCC	P	Digital voltage for source driver	
9	V9	I	Gamma voltage level 9	
10	VGL	P	Gate OFF voltage	
11	V2	I	Gamma voltage level 2	
12	VGH	P	Gate ON voltage	
13	V6	I	Gamma voltage level 6	
14	U/D	I	Up/down selection	
15	VCOM1	I	Common voltage	
16	GND	P	Power ground	
17	AVDD1	P	Power supply for analog circuit	
18	V14	I	Gamma voltage level 14	
19	V11	I	Gamma voltage level 11	
20	V8	I	Gamma voltage level 8	
21	V5	I	Gamma voltage level 5	
22	V3	I	Gamma voltage level 3	
23	GND	P	Power ground	
24	R5	I	Red data(MSB)	
25	R4	I	Red data	
26	R3	I	Red data	
27	R2	I	Red data	
28	R1	I	Red data	
29	R0	I	Red data(LSB)	
30	GND	P	Power ground	



Pin no	Symbol	I/O	Description	Remark
31	GND	P	Power ground	
32	G5	I	Green data (MSB)	
33	G4	I	Green data	
34	G3	I	Green data	
35	G2	I	Green data	
36	G1	I	Green data	
37	G0	I	Green data (LSB)	
38	STHL	I/O	Horizontal start pulse signal input or output	
39	INV	I	Control signal are inverted by ASIC or not	
40	GND	P	Power ground	
41	DCLK	I	Sample clock	
42	DVDD	P	Voltage for digital circuit	
43	STHR	I/O	Horizontal start pulse signal input or output	
44	LD	I	Latches the polarity of outputs and switches the new data to outputs	
45	B5	I	Blue data (MSB)	
46	B4	I	Blue data	
47	B3	I	Blue data	
48	B2	I	Blue data	
49	B1	I	Blue data	
50	B0	I	Blue data (LSB)	
51	R/L	I	Right/ left selection	
52	V1	I	Gamma voltage level 1	
53	V4	I	Gamma voltage level 4	
54	V7	I	Gamma voltage level 7	
55	V10	I	Gamma voltage level 10	
56	V12	I	Gamma voltage level 12	
57	V13	I	Gamma voltage level 13	
58	AVDD2	P	Voltage for analog circuit	
59	GND	P	Power ground	
60	VCOM2	I	Common voltage	

※I: Input. O: Output. P: Power.

C. Optical specification (Note 1, Note 2)

Item	Symbol	Condition	Min.	Typ.	Max.	Unit	Remark
Response time	Rise	$\theta = 0^\circ$	-	12	24	ms	Note 3,5
	Fall		-	18	36		
Contrast ratio	CR	At optimized Viewing angle	250	400	-		Note 4, 5
Viewing angle	Top	$CR \geq 10$	40	45	-	deg.	Note 5, 6
	Bottom		55	65	-		
	Left		55	65	-		
	Right		55	65	-		
Brightness	Y_L	$I_L = 6.5 \text{ mA}, 25^\circ \text{C}$	300	350	-	nit	Note 7
Luminance Uniformity			70	80	-	%	Note 8
White chromaticity	X	$\theta = 0^\circ$	0.26	0.31	0.36		Note 7
	Y	$\theta = 0^\circ$	0.28	0.33	0.38		

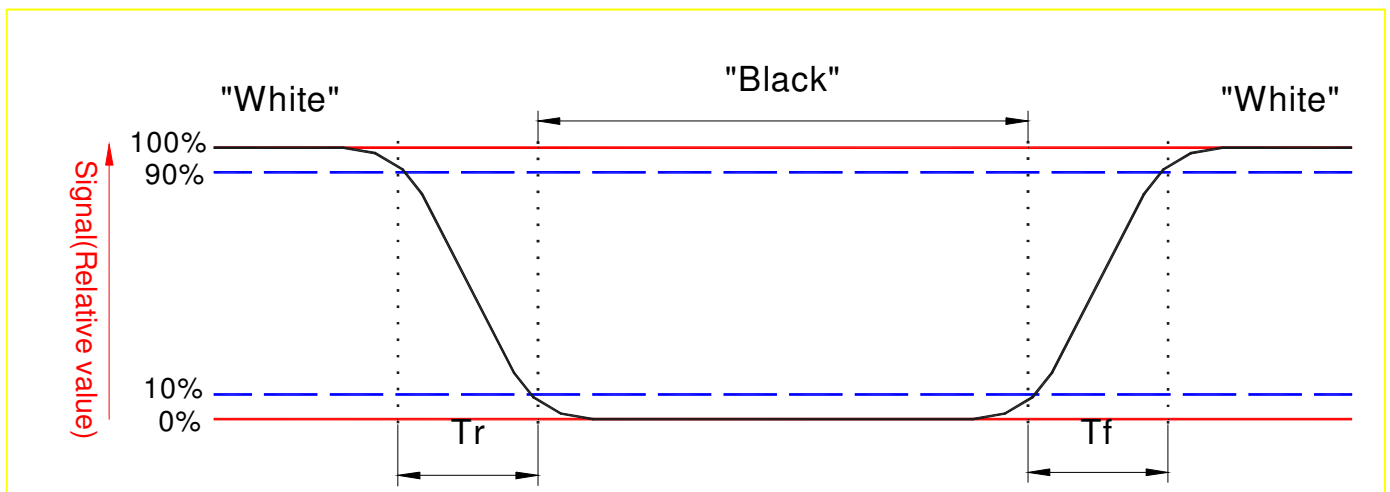
Note 1 : Ambient temperature $\approx 25^\circ \text{C}$, and lamp current $I_L = 6.5 \text{ mA}$. To be measured in the dark room. DC/AC inverter driving frequency: 60 kHz.

Note 2 : To be measured on the center area of panel with a viewing cone of 1° by Topcon luminance meter BM-5, after 10 minutes operation.

Note 3. Definition of response time:

The output signals of photo detector are measured when the input signals are changed from "black" to "white" (falling time) and from "white" to "black" (rising time), respectively.

The response time is defined as the time interval between the 10% and 90% of amplitudes. Refer to figure as below.



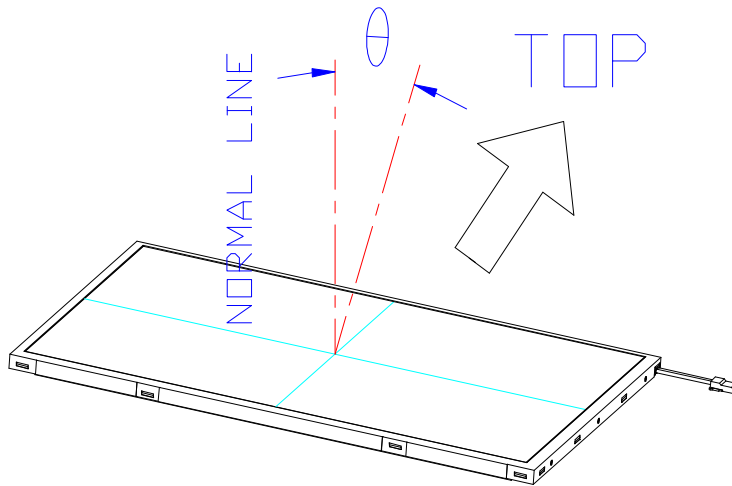
Note 4. Definition of contrast ratio:

Contrast ratio is calculated with the following formula.

$$\text{Contrast ratio (CR)} = \frac{\text{Photo detector output when LCD is at "White" state}}{\text{Photo detector output when LCD is at "Black" state}}$$

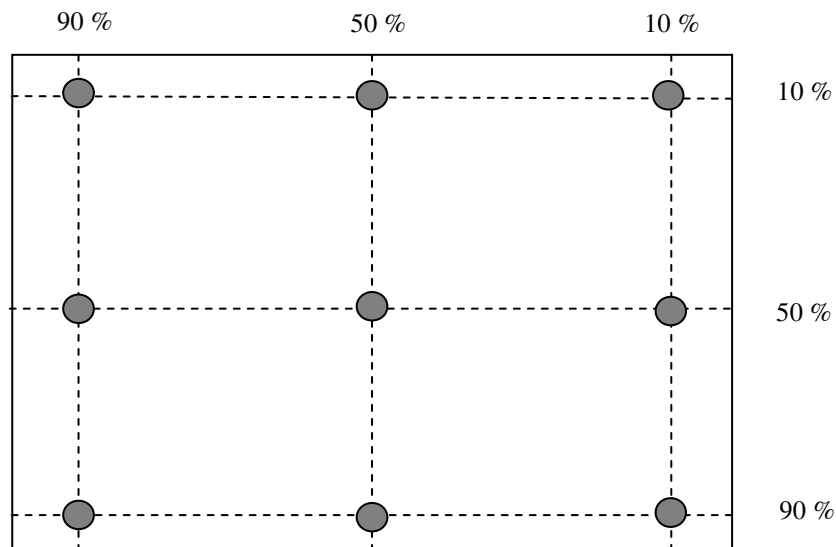
Note 5. The 100% transmission is defined as the transmission of LCD panel when all the input terminals of module are electrically opened.

Note 6. Definition of viewing angle, Refer to figure as below.



Note 7. Measured at the center area of the panel when all the input terminals of LCD panel are electrically opened.

Note 8. Luminance Uniformity of these 9 points is defined as below:



$$\text{Uniformity} = \frac{\text{Minimum Luminance in 9 points (1-9)}}{\text{Maximum Luminance in 9 Points (1-9)}}$$

D. Reliability test items (Note 2):

No.	Test items	Conditions	Remark
1	High temperature storage	Ta= 70°C 240Hrs	
2	Low temperature storage	Ta= -20°C 240Hrs	
3	High temperature operation	Tp= 60°C 240Hrs	
4	Low temperature operation	Ta= -10°C 240Hrs	
5	High temperature and high humidity	Tp= 50°C, 80% RH 240Hrs	Operation
6	Thermal shock	-30°C~70°C/ 100 cycles 1Hrs/cycle	Non-operation
7	Electrostatic discharge	±200V,200pF(0Ω), once for each terminal	Non-operation
8	Vibration	Frequency range : 8~33.3Hz Stoke : 1.3mm Sweep : 2.9G, 33.3 ~ 400Hz Cycle : 15 minutes 2 hours for each direction of X,Z 4 hours for Y direction	JIS D1601, A-10 Condition A
9	Mechanical shock	100G, 6ms, ±X,±Y,±Z 3 times for each direction	JIS C0041, A-7 Condition C
10	Vibration (with carton)	Random vibration: 0.015G ² /Hz from 5~200Hz -6dB/octave from 200~500Hz	IEC 68-34
11	Drop (with carton)	Height: 60cm 1 corner, 3 edges, 6 surfaces	JIS Z0202

Note1: Ta: Ambient temperature.

Note2: Tp: Panel Surface Temperature

Note3: All the cosmetic specification is judged before the reliability stress.

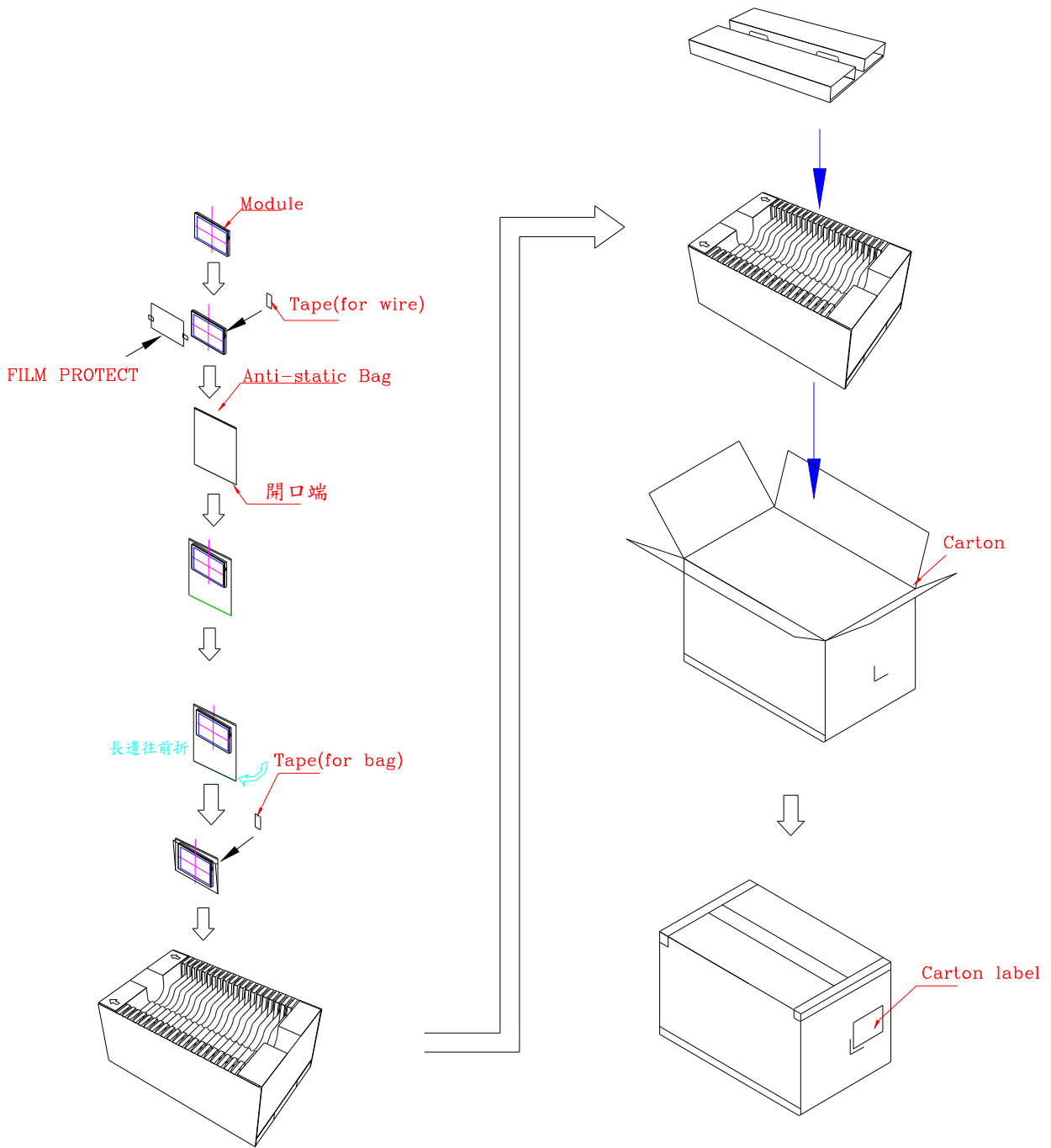


E. Packing form

Model no. : A101W01 V0

Version : 0

Page : 11/21



Max. Capacity:20 Pcs Modules
Max. Weight:13Kg
Carton outline.: 520mm*340mm*250mm

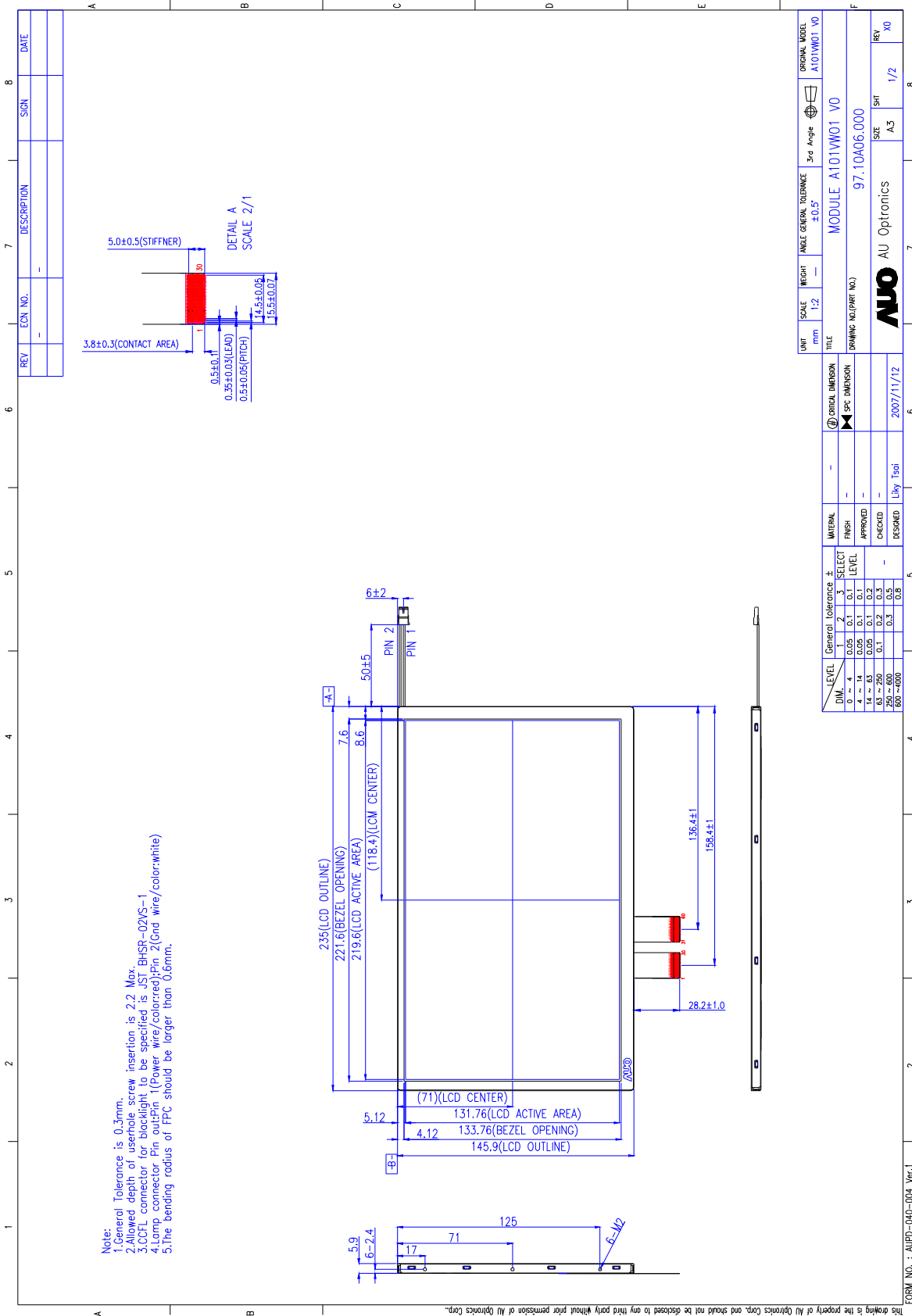


Fig.1 Outline dimension of TFT-LCD module (Front Side)

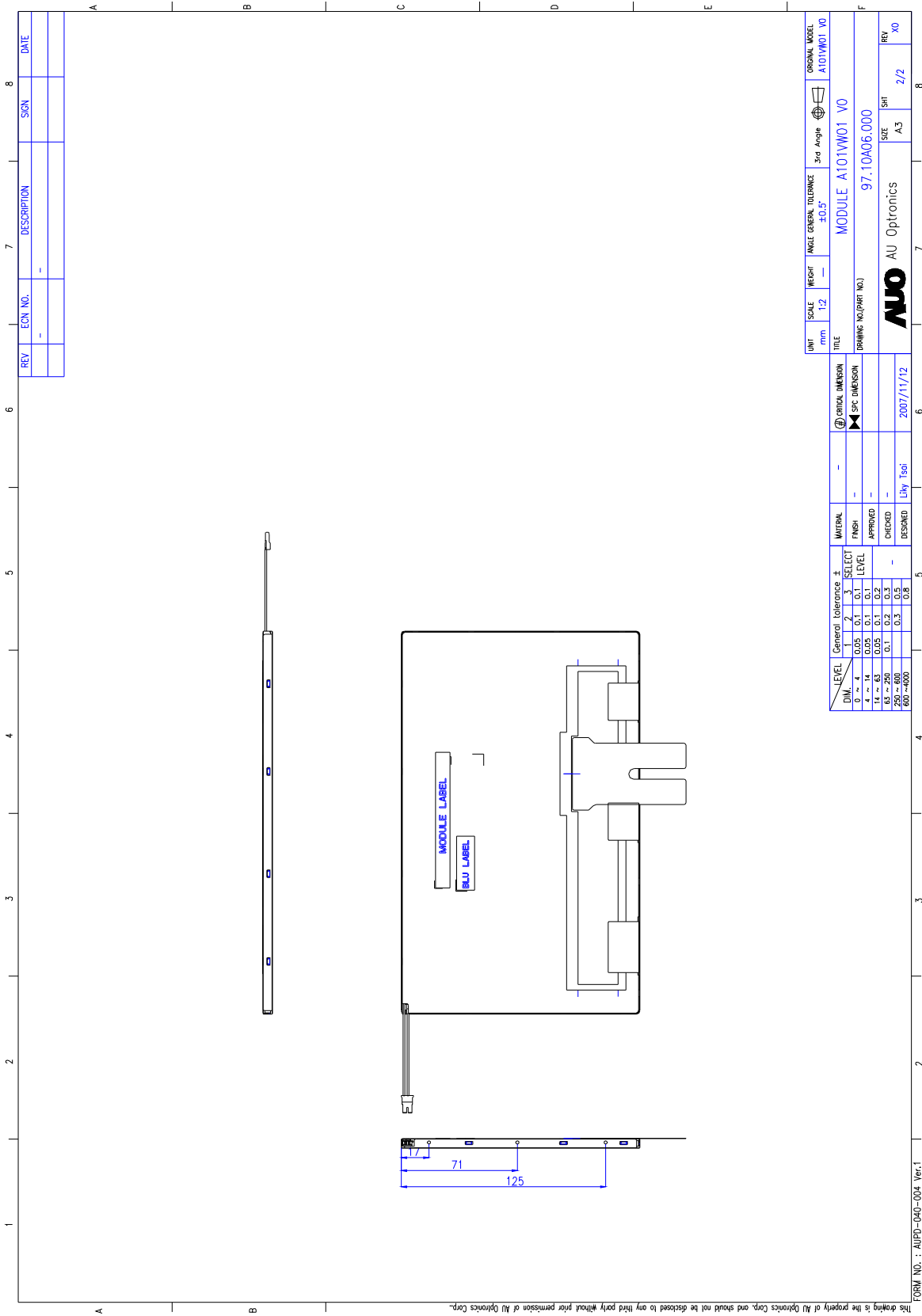


Fig.2 Outline dimension of TFT-LCD module (Rear Side)

■ Timing Diagram 1 (CHNSL="1", Default)

<< EDGSL="0", Default >>

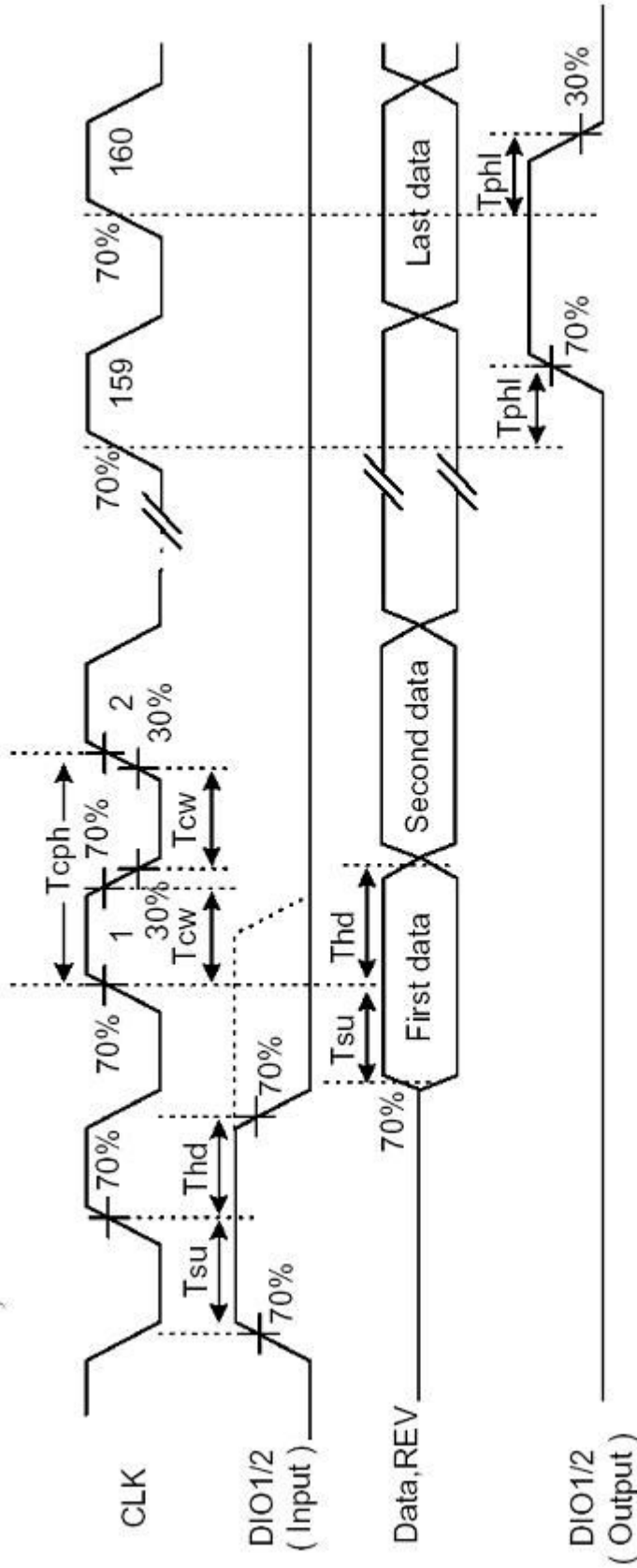


Fig.3 Operation Mode 1

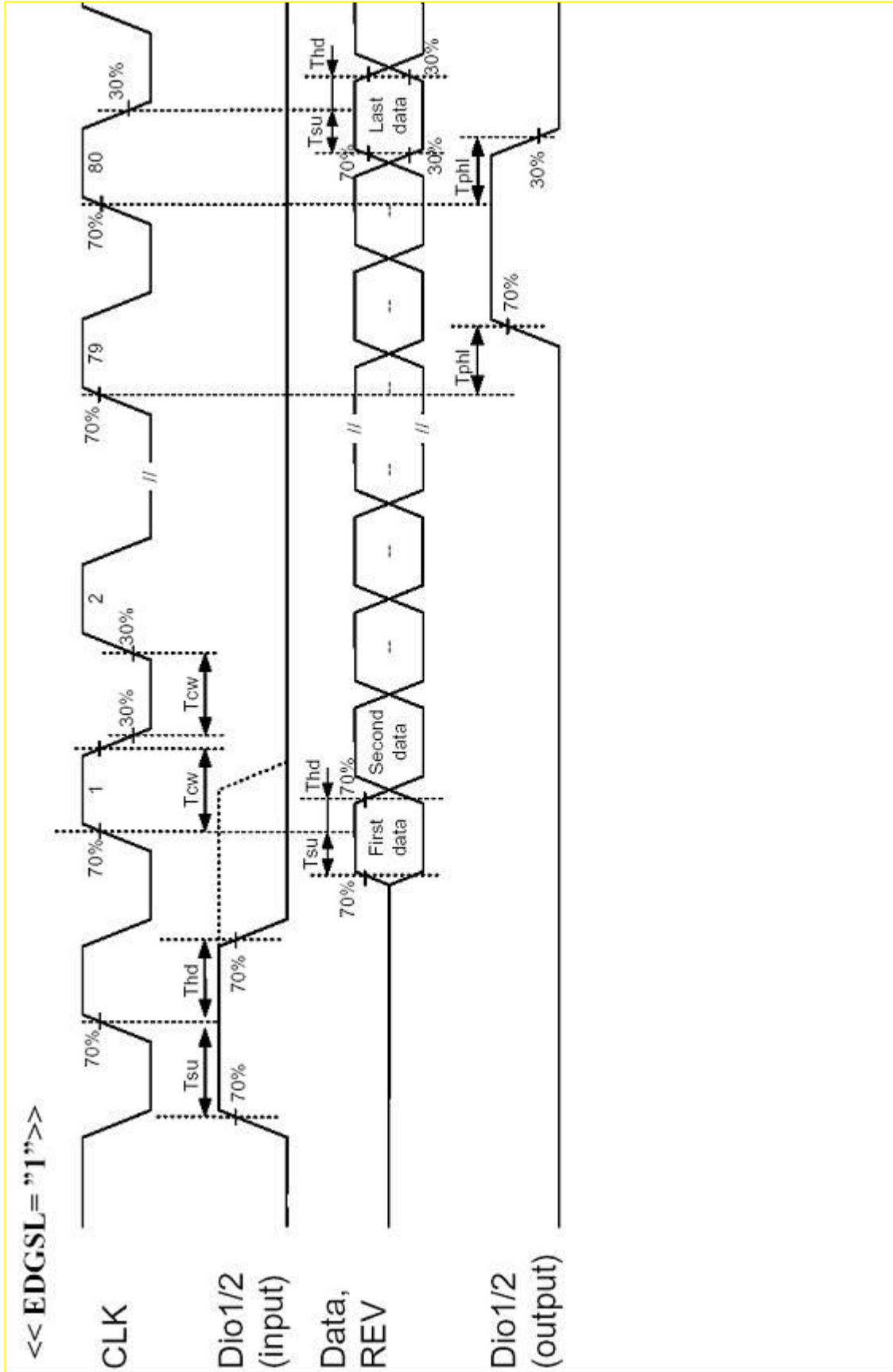


Fig.4 Operation Mode 2

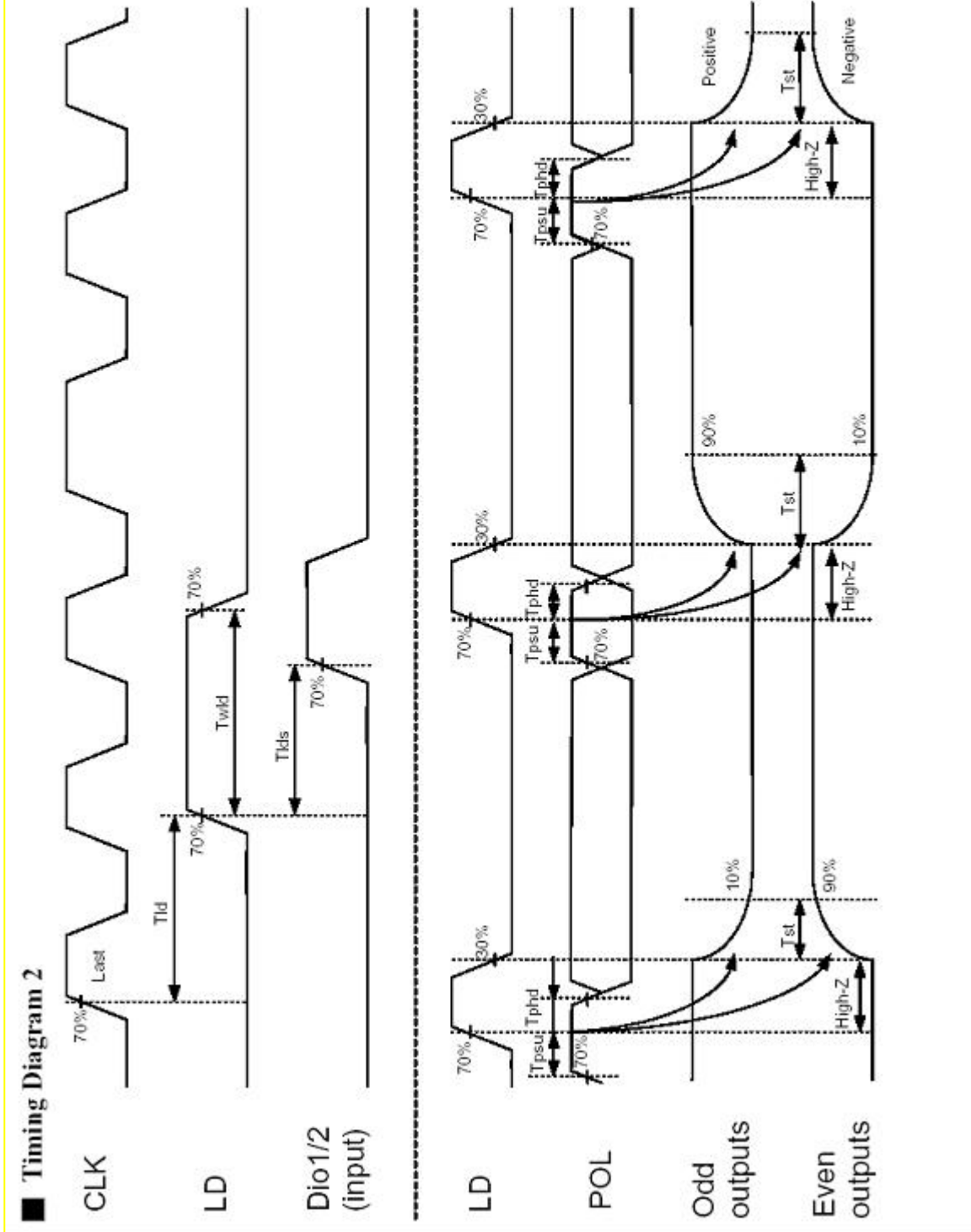


Fig.5 Horizontal timing

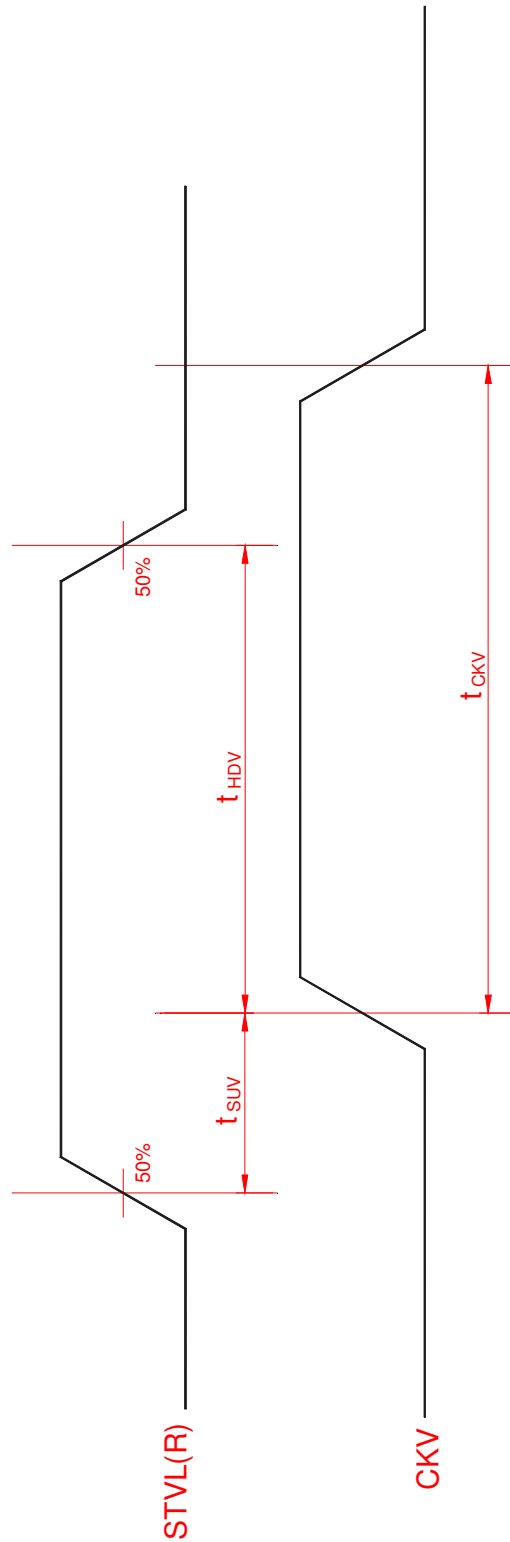


Fig.6 Vertical shift clock timing

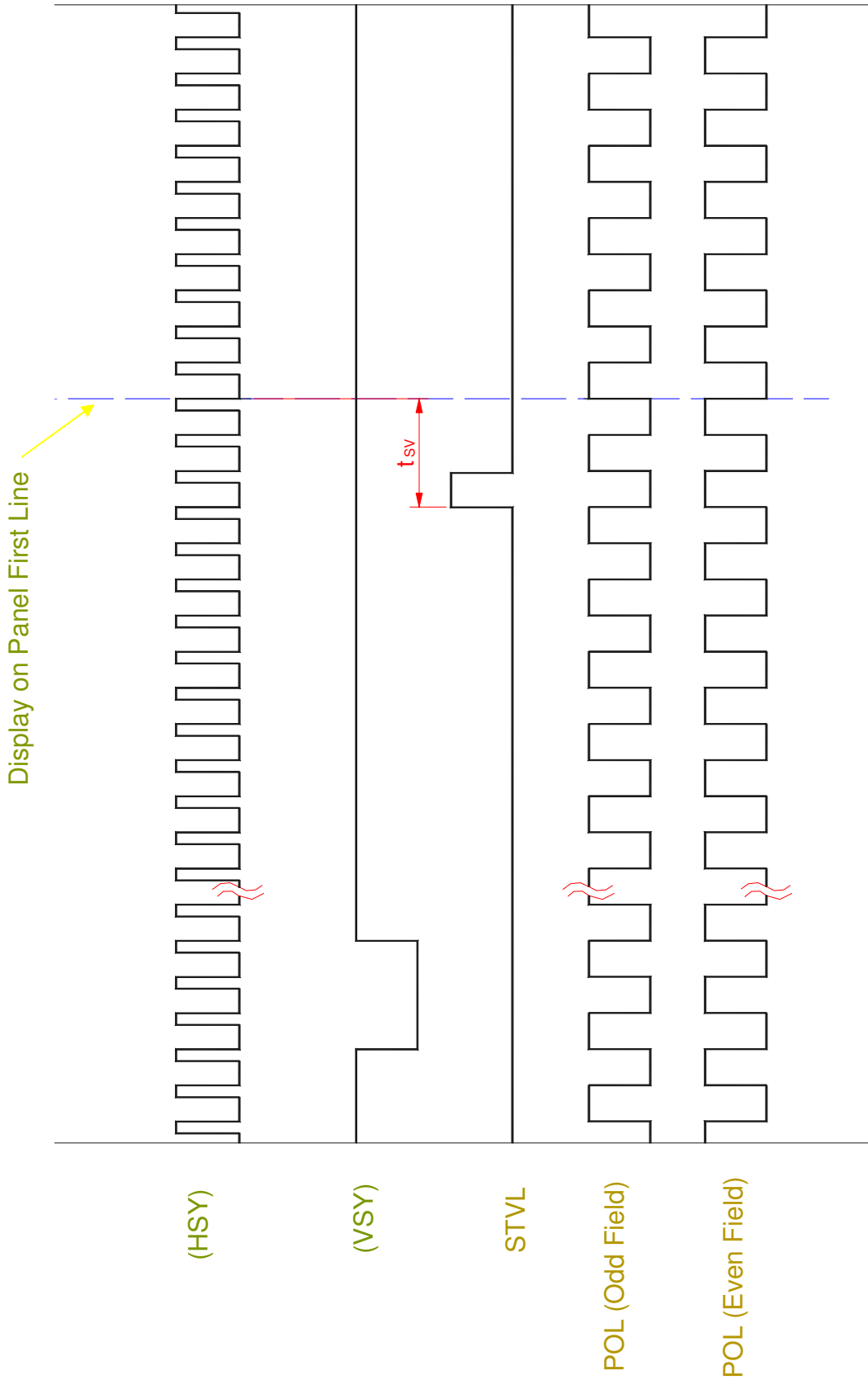


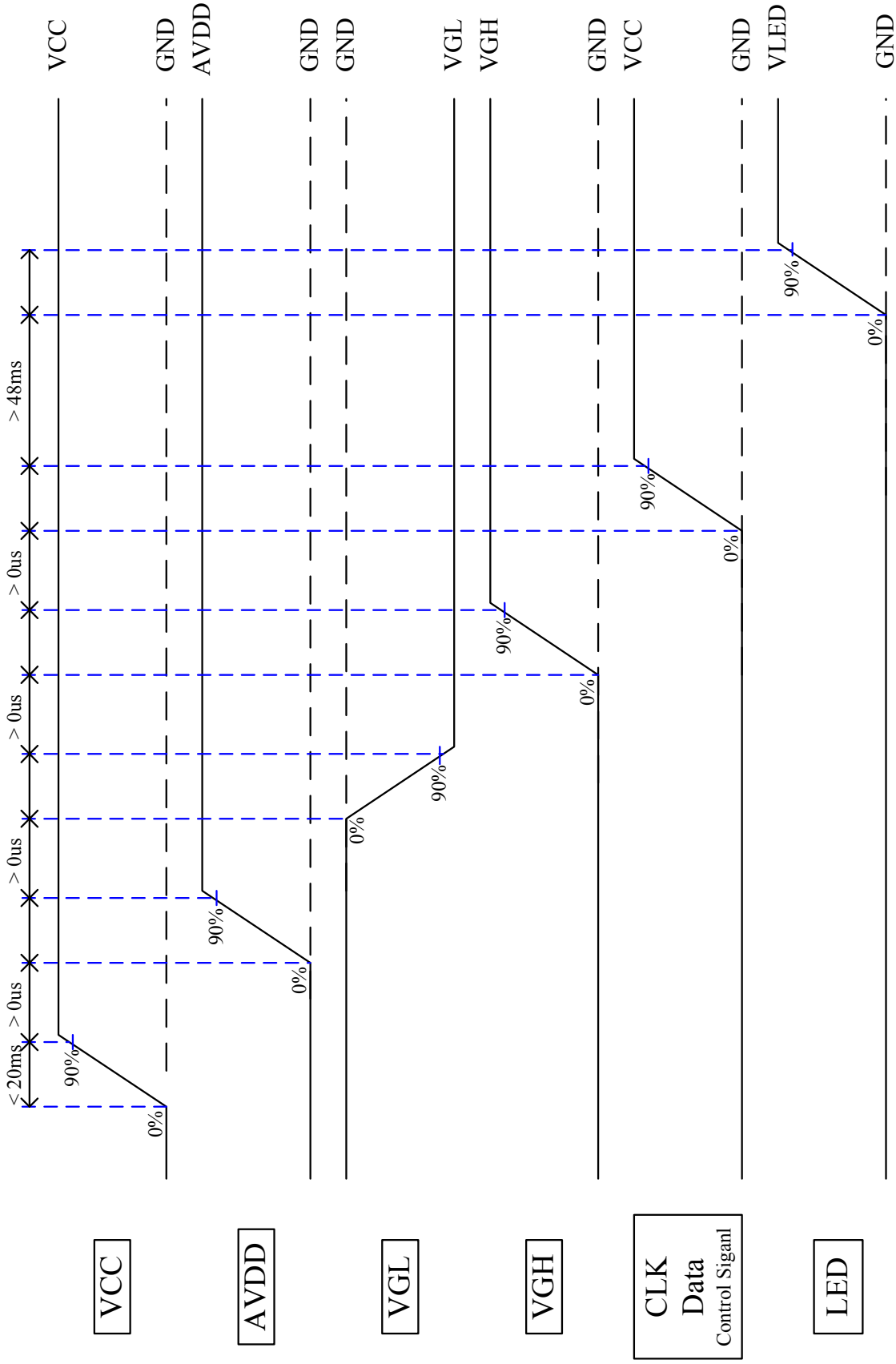
Fig.7 Vertical timing (from up to down)



Model no. : A101W01 V0

Version : 0

Page : 19/21



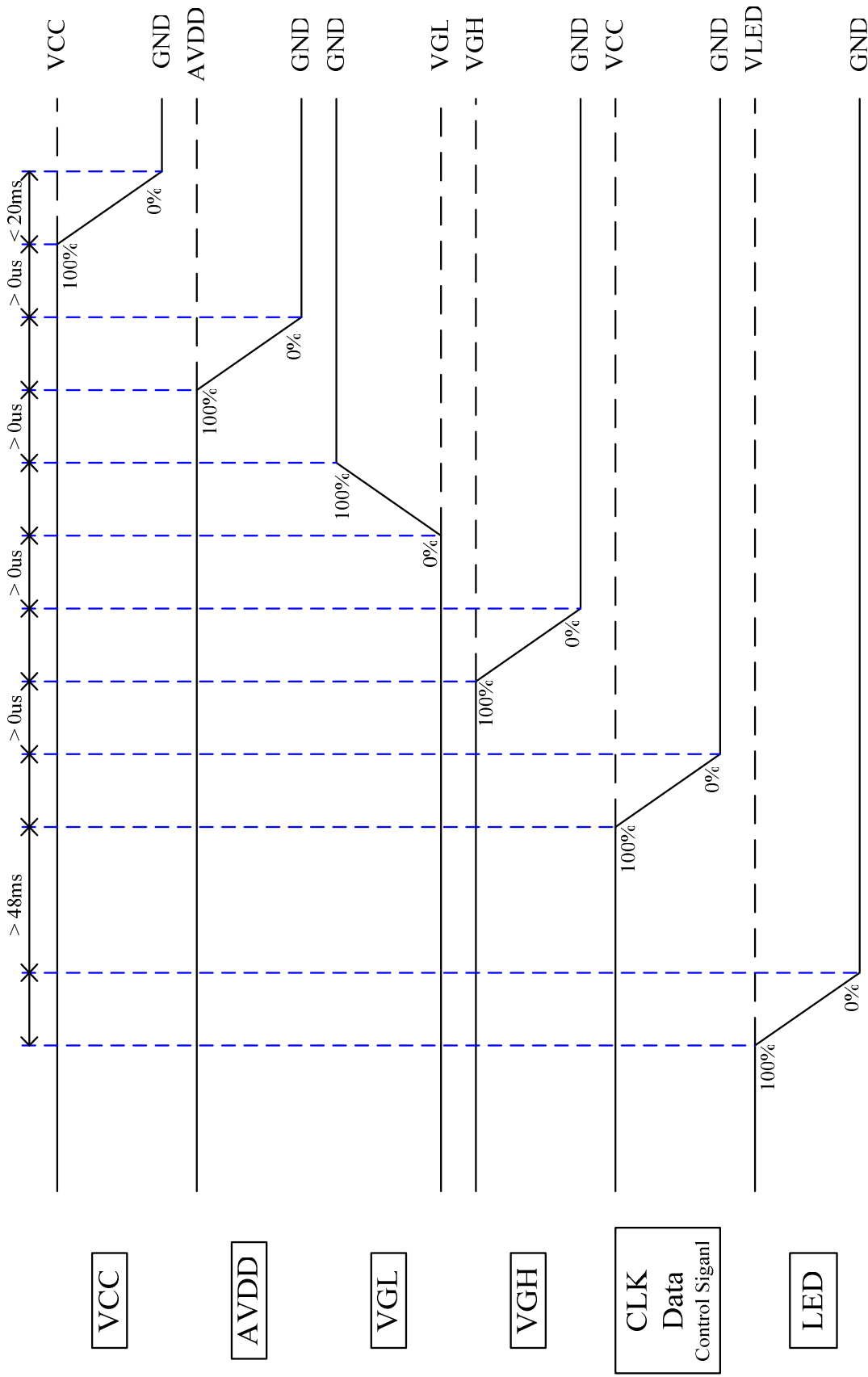
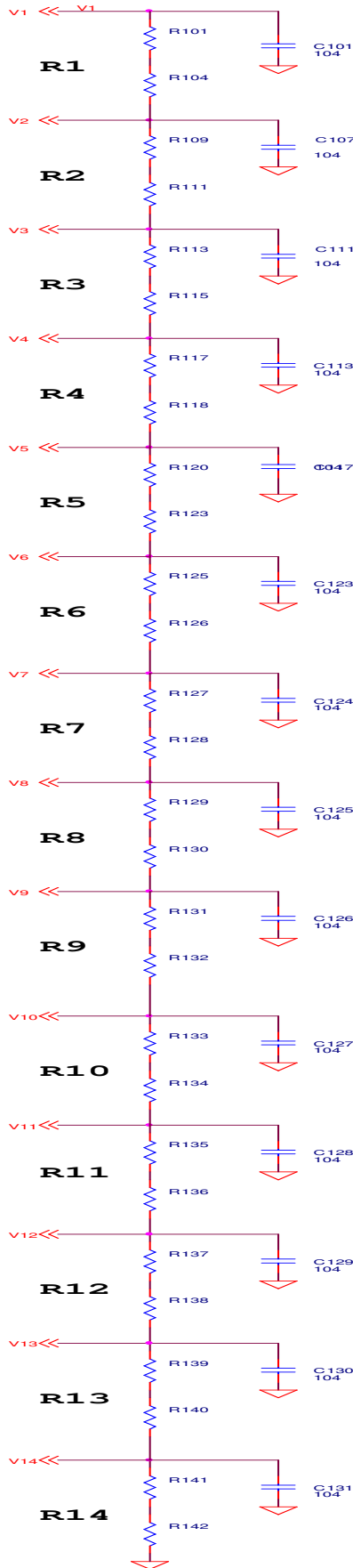


Fig.8 Power sequence



R101=14
 R109=127
 R113=68
 R117=52.3
 R120=60.4
 R125=91
 R127=86.6
 R129=215
 R131=102
 R133=56.2
 R135=51.1
 R137=133
 R139=17.8
 R141=19.6
 R104=0
 R111=0
 R115=0
 R118=0
 R123=0
 R126=0
 R128=0
 R130=0
 R132=0
 R134=0
 R136=0
 R138=0
 R140=0
 R142=0

V1	8.6
V2	8.48
V3	7.32
V4	6.72
V5	6.27
V6	5.73
V7	5.15
V8	4.29
V9	3.35
V10	2.5
V11	2.03
V12	1.57
V13	0.355
V14	0.15

Fig.9 Reference Gamma Voltage